

KEL-BES-S split cable gland with brush strips

for cable pass-through, thread sizes M32 / M50



RoHS
compliant



Made in
Germany

For round metric cut-outs M32/M50 icotek offers the split cable gland with brush strips KEL-BES-S round. It can be either directly snapped into the cut-out or screwed with a locknut, which is included in the shipment.

Split cable glands with brush strips KEL-BES-S are suited for routing cables into server racks, control panels and electrical enclosures. Due to the split frame the KEL-BES-S can also be subsequently installed around the routed cables.

Note: Snap-in mounting possible if wall thickness is 1 - 2.5 mm. For wall thickness < 1 mm and > 2.5 mm, a locknut must be used.

Specifications

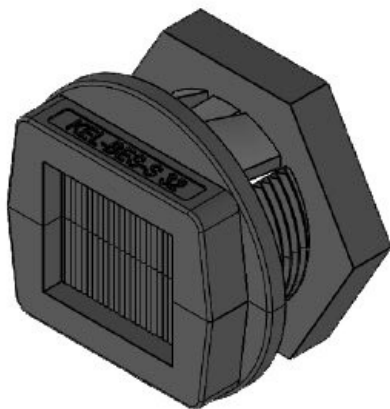
Material	Polycarbonate Brushes: Polyamide
Flame class	UL94-V0, self-extinguishing
Operating temperature	-20 C° to 90 C°
Properties	silicone free, halogen free
Mounting options	Fasten with locknut, Snap-in

Advantages & benefits

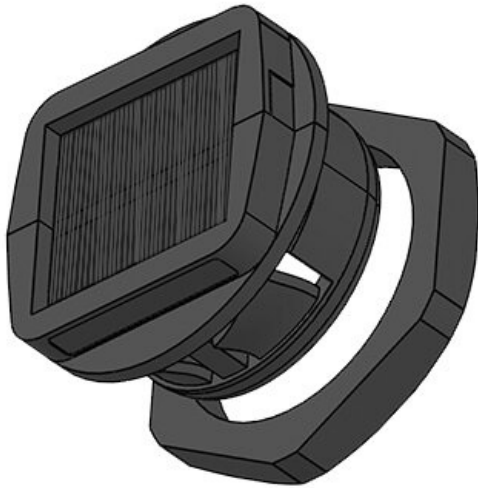
- Fast and easy assembly
- Subsequent assembly possible
- Versatile utilisation
- Allows reduced airflow while filtering out dust, hair and larger particulate matter
- Visual screening
- Protects cables against wear due to sharp edges of the cut-out

Product types & sizes

KEL-BES-S 32



Part No.	51538	Thread	M32 × 1,5
EAN	4251269318	Thread length	20 mm
	702	For min. wall thickness	1 mm
Package quantity	10	For max. wall thickness	2,5 mm
Mounting height	10 mm		
External diameter	46 mm		
Cut-out size, metric	M32		
Cut-out size, round	32,3 mm		



Part No.	51540	Thread	M50 × 1,5
EAN	4251269318	Thread length	20 mm
	306	For min. wall thickness	1 mm
Package quantity	10	For max. wall thickness	2,5 mm
Mounting height	10 mm		
External diameter	62,5 mm		
Cut-out size, metric	M50		
Cut-out size, round	50,4 mm		